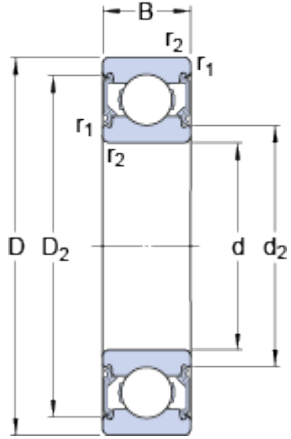


6201-2RSH

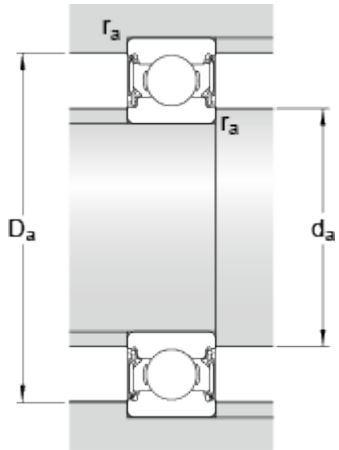
SKF Explorer

Dimensions



d	12	mm
D	32	mm
B	10	mm
d ₂	16.2	mm
D ₂	27.34	mm
r _{1,2}	min. 0.6	mm

Abutment dimensions



d _a	min.	16.2	mm
d _a	max.	16.5	mm
D _a	max.	27.8	mm
r _a	max.	0.6	mm

Calculation data

Basic dynamic load rating	C	7.3	kN
Basic static load rating	C ₀	3.1	kN
Fatigue load limit	P _u	0.132	kN
Limiting speed		15000	r/min
Calculation factor	k _r	0.025	
Calculation factor	f ₀	12	

Mass

Mass bearing		0.0376	kg
--------------	--	--------	----