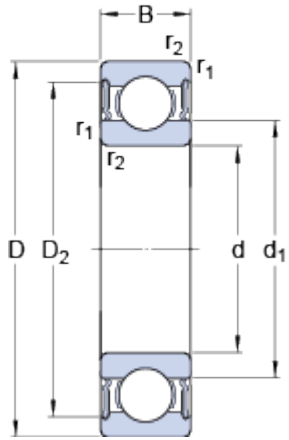


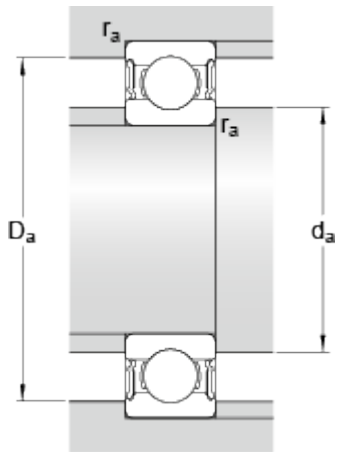
61905-2RS1

Dimensions



d	25	mm
D	42	mm
B	9	mm
d ₁	30.25	mm
D ₂	37.7	mm
r _{1,2}	min. 0.6	mm

Abutment dimensions



d _a	min. 27	mm
d _a	max. 29	mm
D _a	max. 40	mm
r _a	max. 0.3	mm

Calculation data

Basic dynamic load rating	C	7	kN
Basic static load rating	C ₀	4.3	kN
Fatigue load limit	P _u	0.193	kN
Limiting speed		10000	r/min
Calculation factor	k _r	0.02	
Calculation factor	f ₀	14.7	

Mass

Mass bearing	0.045	kg
--------------	-------	----