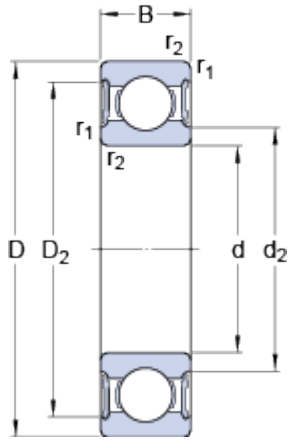


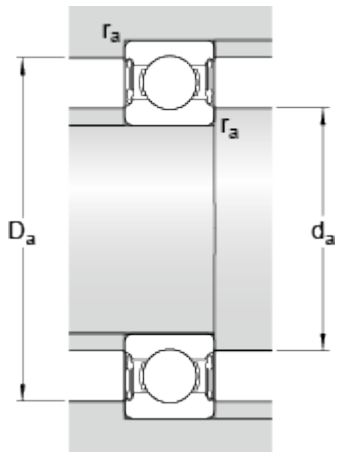
# 61904-2RS1

## Dimensions



d	20	mm
D	37	mm
B	9	mm
d <sub>2</sub>	23.15	mm
D <sub>2</sub>	32.7	mm
r <sub>1,2</sub>	min. 0.3	mm

## Abutment dimensions



d <sub>a</sub>	min. 22	mm
d <sub>a</sub>	max. 23	mm
D <sub>a</sub>	max. 35	mm
r <sub>a</sub>	max. 0.3	mm

## Calculation data

Basic dynamic load rating	C	6.4	kN
Basic static load rating	C <sub>0</sub>	3.6	kN
Fatigue load limit	P <sub>u</sub>	0.156	kN
Limiting speed		12000	r/min
Calculation factor	k <sub>r</sub>	0.02	
Calculation factor	f <sub>0</sub>	14.7	

## Mass

Mass bearing	0.0379	kg
--------------	--------	----