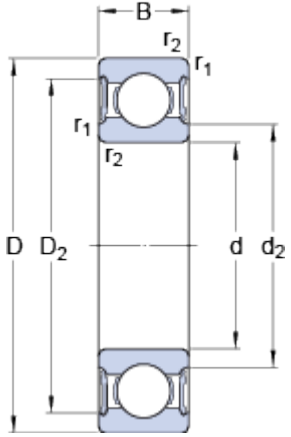


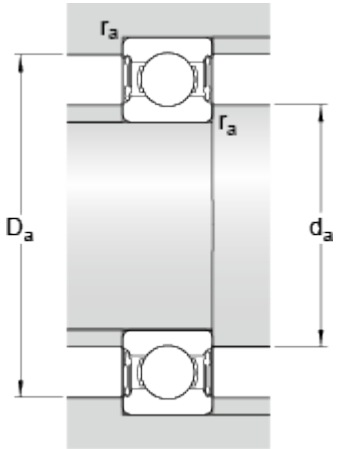
61901-2RS1

Dimensions



d	12	mm
D	24	mm
B	6	mm
d ₂	≈ 15.3	mm
D ₂	≈ 21.4	mm
r _{1,2}	min. 0.3	mm

Abutment dimensions



d _a	min. 14	mm
d _a	max. 15.2	mm
D _a	max. 22	mm
r _a	max. 0.3	mm

Calculation data

Basic dynamic load rating	C	2.9	kN
Basic static load rating	C ₀	1.4	kN
Fatigue load limit	P _u	0.06	kN
Limiting speed		19000	r/min
Calculation factor	k _r	0.02	
Calculation factor	f ₀	14.5	

Mass

Mass bearing	0.011	kg
--------------	-------	----