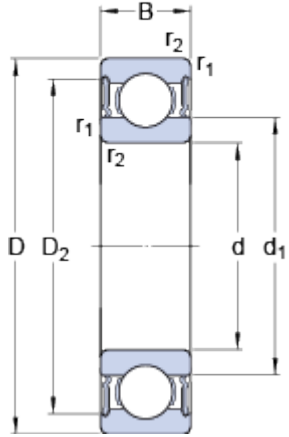


# 6008-2RS1

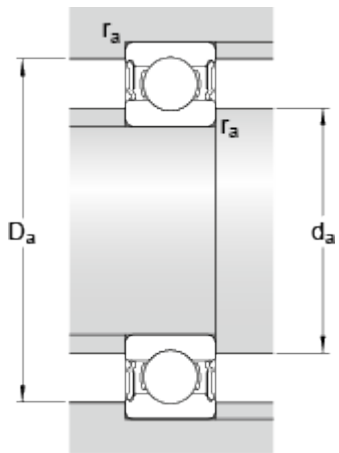
SKF Explorer

## Dimensions



d	40	mm
D	68	mm
B	15	mm
d <sub>1</sub>	49.25	mm
D <sub>2</sub>	61.1	mm
r <sub>1,2</sub>	min. 1	mm

## Abutment dimensions



d <sub>a</sub>	min. 44.6	mm
d <sub>a</sub>	max. 49.2	mm
D <sub>a</sub>	max. 63.4	mm
r <sub>a</sub>	max. 1	mm

## Calculation data

Basic dynamic load rating	C	17.8	kN
Basic static load rating	C <sub>0</sub>	11	kN
Fatigue load limit	P <sub>u</sub>	0.49	kN
Limiting speed		6300	r/min
Calculation factor	k <sub>r</sub>	0.025	
Calculation factor	f <sub>0</sub>	15	

## Mass

Mass bearing	0.198	kg
--------------	-------	----