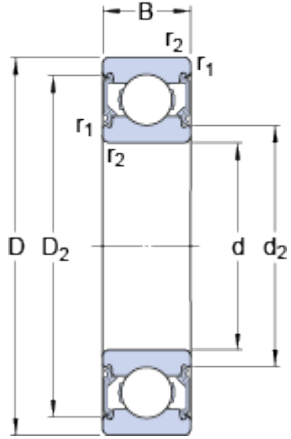


6005-2RSH

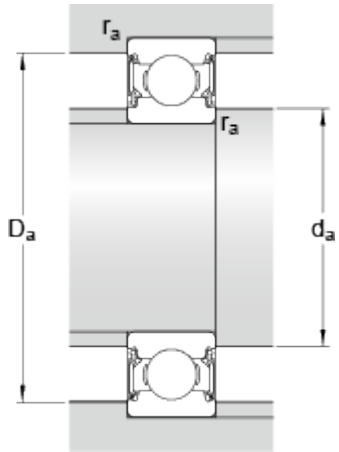
SKF Explorer

Dimensions



d	25	mm
D	47	mm
B	12	mm
d ₂	29.45	mm
D ₂	42.2	mm
r _{1,2}	min. 0.6	mm

Abutment dimensions



d _a	min. 28.2	mm
d _a	max. 29.5	mm
D _a	max. 43.8	mm
r _a	max. 0.6	mm

Calculation data

Basic dynamic load rating	C	11.9	kN
Basic static load rating	C ₀	6.6	kN
Fatigue load limit	P _u	0.275	kN
Limiting speed		9500	r/min
Calculation factor	k _r	0.025	
Calculation factor	f ₀	14	

Mass

Mass bearing	0.0806	kg
--------------	--------	----