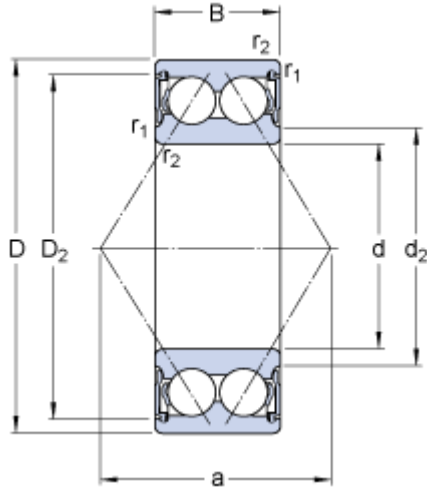


3207 A-2RS1TN9/MT33

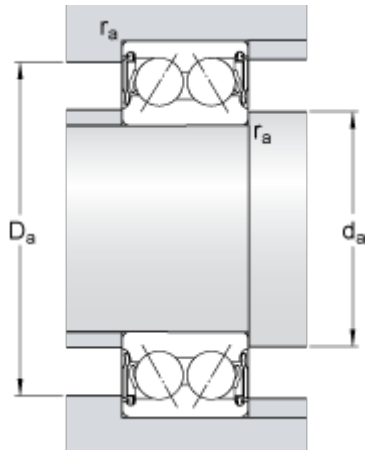
SKF Explorer

Dimensions



d	35	mm
D	72	mm
B	27	mm
d ₂	45.4	mm
D ₂	63.85	mm
r _{1,2}	min. 1.1	mm
a	42	mm

Abutment dimensions



d _a	min. 42	mm
d _a	max. 45	mm
D _a	max. 65	mm
r _a	max. 1	mm

Calculation data

Basic dynamic load rating	C	40	kN
Basic static load rating	C ₀	28	kN
Fatigue load limit	P _u	1.2	kN
Limiting speed		6300	r/min
Calculation factor	k _r	0.06	
Calculation factor	e	0.8	
Calculation factor	X	0.63	
Calculation factor	Y ₀	0.66	
Calculation factor	Y ₁	0.78	

Calculation factor

Y_2

1.24

Mass

Mass bearing

0.44

kg
