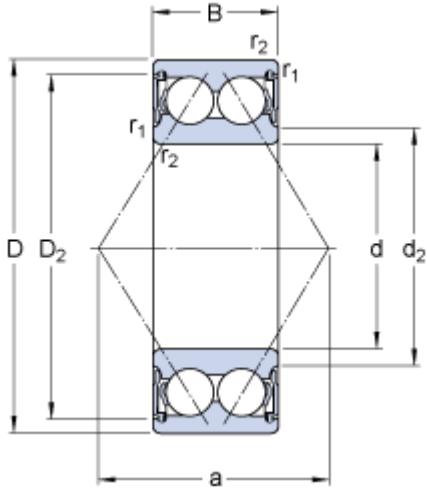


# 3206 A-2RS1TN9/MT33

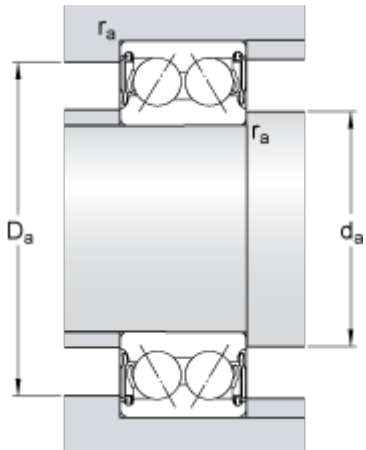
SKF Explorer

## Dimensions



d	30	mm
D	62	mm
B	23.8	mm
d <sub>2</sub>	38.7	mm
D <sub>2</sub>	55.15	mm
r <sub>1,2</sub>	min. 1	mm
a	36	mm

## Abutment dimensions



d <sub>a</sub>	min. 35.6	mm
d <sub>a</sub>	max. 38.5	mm
D <sub>a</sub>	max. 56.4	mm
r <sub>a</sub>	max. 1	mm

## Calculation data

Basic dynamic load rating	C	30	kN
Basic static load rating	C <sub>0</sub>	20.4	kN
Fatigue load limit	P <sub>u</sub>	0.865	kN
Limiting speed		7500	r/min
Calculation factor	k <sub>r</sub>	0.06	
Calculation factor	e	0.8	
Calculation factor	X	0.63	
Calculation factor	Y <sub>0</sub>	0.66	
Calculation factor	Y <sub>1</sub>	0.78	

Calculation factor

$Y_2$

1.24

---

**Mass**

Mass bearing

0.29

kg

---