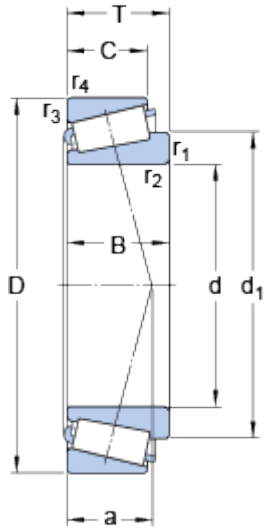


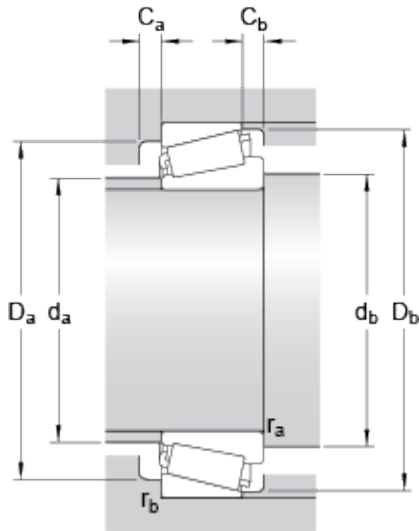
# 32008 X/Q

## Dimensions



d	40	mm
D	68	mm
T	19	mm
d <sub>1</sub>	54.7	mm
B	19	mm
C	14.5	mm
r <sub>1,2</sub>	min. 1	mm
r <sub>3,4</sub>	min. 1	mm
a	15	mm

## Abutment dimensions



d <sub>a</sub>	max. 46	mm
d <sub>b</sub>	min. 46	mm
D <sub>a</sub>	min. 60	mm
D <sub>a</sub>	max. 62	mm
D <sub>b</sub>	min. 65	mm
C <sub>a</sub>	min. 4	mm
C <sub>b</sub>	min. 4.5	mm
r <sub>a</sub>	max. 1	mm
r <sub>b</sub>	max. 1	mm

## Calculation data

Basic dynamic load rating	C	52.8	kN
Basic static load rating	C <sub>0</sub>	71	kN
Fatigue load limit	P <sub>u</sub>	7.6	kN
Reference speed		7000	r/min

Limiting speed		9500	r/min
Calculation factor	e	0.37	
Calculation factor	Y	1.6	
Calculation factor	Y <sub>0</sub>	0.9	

---

**Mass**

Mass bearing		0.278	kg
--------------	--	-------	----

---