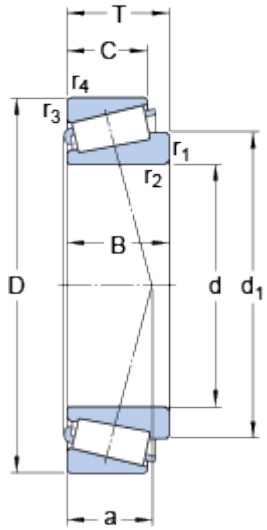


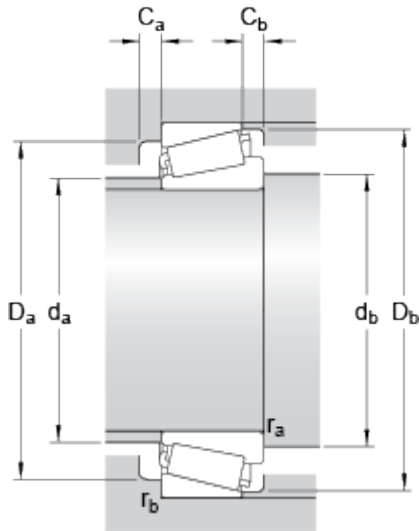
# 30304 J2/Q

## Dimensions



d	20	mm
D	52	mm
T	16.25	mm
d <sub>1</sub>	34.4	mm
B	15	mm
C	13	mm
r <sub>1,2</sub>	min. 1.5	mm
r <sub>3,4</sub>	min. 1.5	mm
a	11	mm

## Abutment dimensions



d <sub>a</sub>	max. 28	mm
d <sub>b</sub>	min. 27	mm
D <sub>a</sub>	min. 44	mm
D <sub>a</sub>	max. 45	mm
D <sub>b</sub>	min. 47	mm
C <sub>a</sub>	min. 2	mm
C <sub>b</sub>	min. 3	mm
r <sub>a</sub>	max. 1.5	mm
r <sub>b</sub>	max. 1.5	mm

## Calculation data

Basic dynamic load rating	C	34.1	kN
Basic static load rating	C <sub>0</sub>	32.5	kN
Fatigue load limit	P <sub>u</sub>	3.6	kN
Reference speed		11000	r/min

Limiting speed		14000	r/min
Calculation factor	e	0.3	
Calculation factor	Y	2	
Calculation factor	Y <sub>0</sub>	1.1	

---

**Mass**

Mass bearing		0.168	kg
--------------	--	-------	----

---