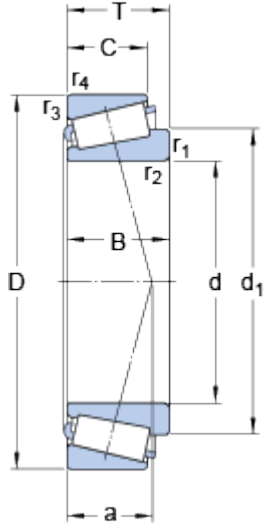


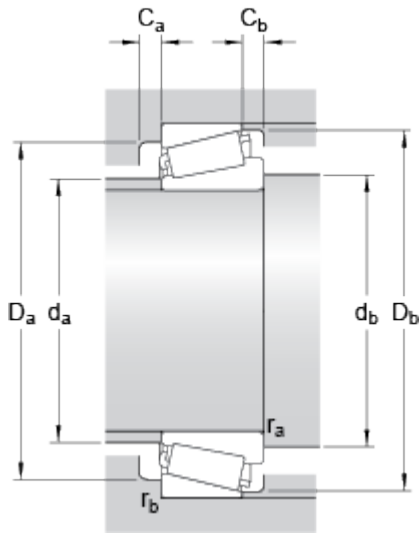
# 30208 J2/Q

## Dimensions



d	40	mm
D	80	mm
T	19.7	mm
d <sub>1</sub>	≈ 57.5	mm
B	18	mm
C	16	mm
r <sub>1,2</sub>	min. 1.5	mm
r <sub>3,4</sub>	min. 1.5	mm
a	16	mm

## Abutment dimensions



d <sub>a</sub>	max. 49	mm
d <sub>b</sub>	min. 47	mm
D <sub>a</sub>	min. 69	mm
D <sub>a</sub>	max. 73	mm
D <sub>b</sub>	min. 74	mm
C <sub>a</sub>	min. 3	mm
C <sub>b</sub>	min. 3.5	mm
r <sub>a</sub>	max. 1.5	mm
r <sub>b</sub>	max. 1.5	mm

## Calculation data

Basic dynamic load rating	C	61.6	kN
Basic static load rating	C <sub>0</sub>	68	kN
Fatigue load limit	P <sub>u</sub>	7.6	kN
Reference speed		6300	r/min
Limiting speed		8500	r/min
Calculation factor	e	0.37	
Calculation factor	Y	1.6	
Calculation factor	Y <sub>0</sub>	0.9	

## Mass

---

Mass bearing

0.42

kg

---