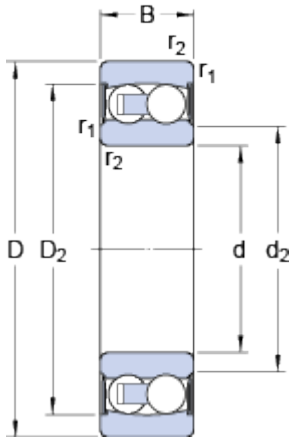


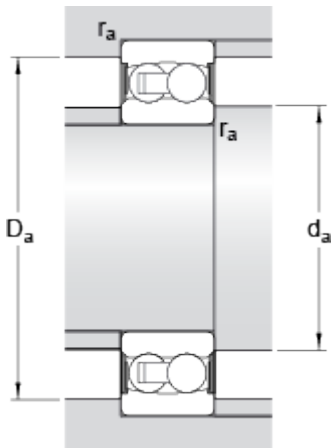
# 2206 E-2RS1TN9

## Dimensions



d	30	mm
D	62	mm
B	20	mm
d <sub>2</sub>	36.7	mm
D <sub>2</sub>	54.06	mm
r <sub>1,2</sub>	min. 1	mm

## Abutment dimensions



d <sub>a</sub>	min.	35.6	mm
d <sub>a</sub>	max.	36.5	mm
D <sub>a</sub>	max.	56.4	mm
r <sub>a</sub>	max.	1	mm

## Calculation data

Basic dynamic load rating	C	15.6	kN
Basic static load rating	C <sub>0</sub>	4.6	kN
Fatigue load limit	P <sub>u</sub>	0.24	kN
Limiting speed		7500	r/min
Permissible angular misalignment		1.5	°
Calculation factor	k <sub>r</sub>	0.045	
Calculation factor	e	0.25	
Calculation factor	Y <sub>0</sub>	2.5	
Calculation factor	Y <sub>1</sub>	2.5	
Calculation factor	Y <sub>2</sub>	3.9	

## Mass

---

Mass bearing

0.26

kg

---