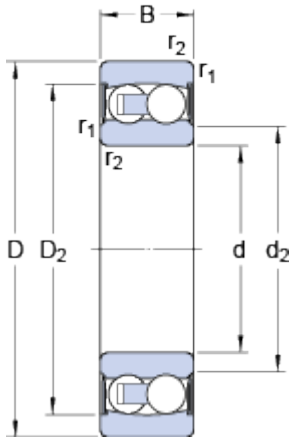


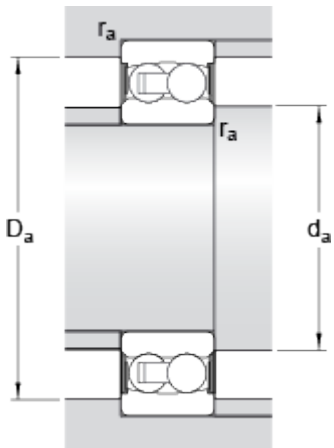
2202 E-2RS1TN9

Dimensions



d	15	mm
D	35	mm
B	14	mm
d ₂	19.05	mm
D ₂	30.4	mm
r _{1,2}	min. 0.6	mm

Abutment dimensions



d _a	min. 19	mm
d _a	max. 19	mm
D _a	max. 30.8	mm
r _a	max. 0.6	mm

Calculation data

Basic dynamic load rating	C	7.4	kN
Basic static load rating	C ₀	1.8	kN
Fatigue load limit	P _u	0.09	kN
Limiting speed		14000	r/min
Permissible angular misalignment		1.5	°
Calculation factor	k _r	0.045	
Calculation factor	e	0.33	
Calculation factor	Y ₀	2	
Calculation factor	Y ₁	1.9	
Calculation factor	Y ₂	3	

Mass

Mass bearing

0.058

kg
