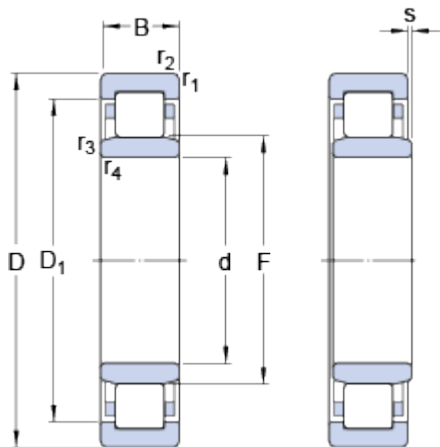


# NU 2211 ECP

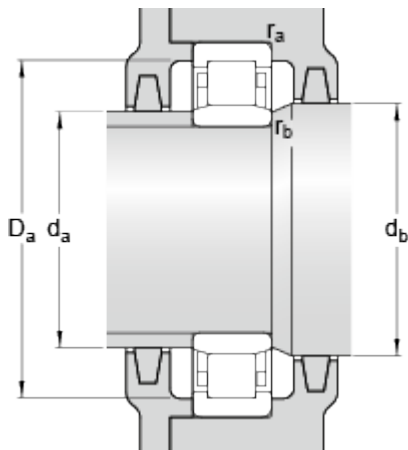
SKF Explorer

## Dimensions



d	<b>55</b>	mm
D	<b>100</b>	mm
B	<b>25</b>	mm
D <sub>1</sub>	≈ <b>85.6</b>	mm
F	<b>66</b>	mm
r <sub>1,2</sub>	min. <b>1.5</b>	mm
r <sub>3,4</sub>	min. <b>1.1</b>	mm
s	max. <b>1.5</b>	mm

## Abutment dimensions



d <sub>a</sub>	min. <b>62</b>	mm
d <sub>a</sub>	max. <b>64</b>	mm
d <sub>b</sub>	min. <b>68</b>	mm
D <sub>a</sub>	max. <b>91.4</b>	mm
r <sub>a</sub>	max. <b>1.5</b>	mm
r <sub>b</sub>	max. <b>1</b>	mm

## Calculation data

Basic dynamic load rating	C	<b>114</b>	kN
Basic static load rating	C <sub>0</sub>	<b>118</b>	kN
Fatigue load limit	P <sub>u</sub>	<b>15.3</b>	kN
Reference speed		<b>7500</b>	r/min

Limiting speed		<b>8000</b>	r/min
Calculation factor	$k_r$	<b>0.2</b>	
Limiting value	$e$	<b>0.3</b>	
Axial load factor	$Y$	<b>0.4</b>	

---

## Mass

Mass bearing		<b>0.79</b>	kg
--------------	--	-------------	----

---

## Associated products

Angle ring		HJ 2211 EC	
------------	--	------------	--

---