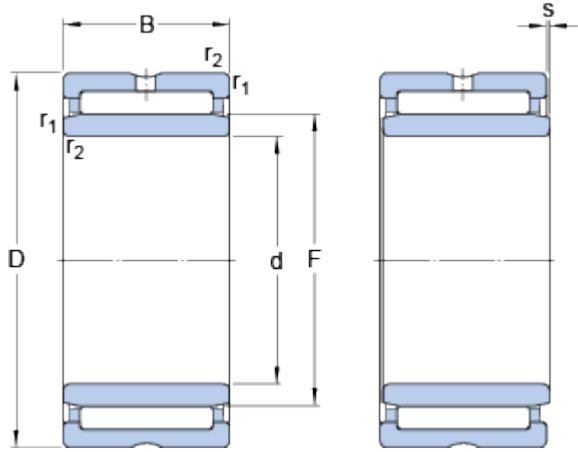


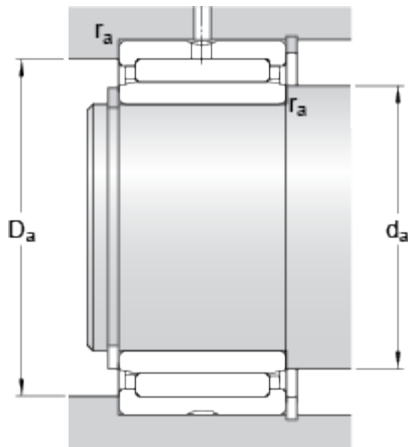
NA 4903

Dimensions



d	17	mm
D	30	mm
B	13	mm
F	22	mm
r _{1,2}	min. 0.3	mm
s	max. 0.5	mm

Abutment dimensions



d _a	min. 19	mm
D _a	max. 28	mm
r _a	max. 0.3	mm

Calculation data

Basic dynamic load rating	C	11.4	kN
Basic static load rating	C ₀	16.3	kN
Fatigue load limit	P _u	1.96	kN
Reference speed		18000	r/min
Limiting speed		20000	r/min

Mass

Mass bearing		0.038	kg
--------------	--	-------	----