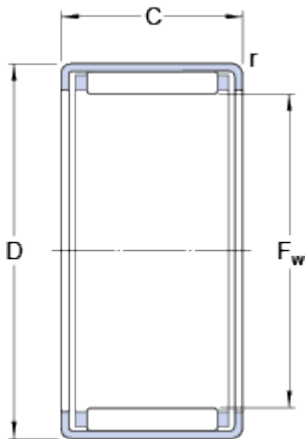


HK 1212

Dimensions



F_w	12	mm
D	18	mm
C	12	mm
r	min. 0.8	mm

Calculation data

Basic dynamic load rating	C	6.27	kN
Basic static load rating	C_0	7.35	kN
Fatigue load limit	P_u	0.85	kN
Reference speed		16000	r/min
Limiting speed		18000	r/min

Mass

Mass bearing	0.0095	kg
--------------	---------------	----

Designation	HK 1212
-------------	----------------

Associated products

Inner ring IR series	IR 8 x 12 x 12.5
Inner ring LR series	LR 8x12x12.5
Radial shaft seal with a low cross-sectional height, single lip	G 12x18x3
Radial shaft seal with a low cross-sectional height, double lip	SD 12x18x3