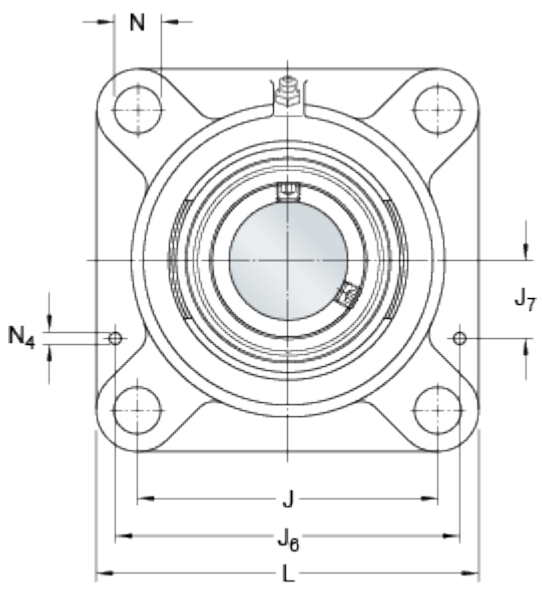
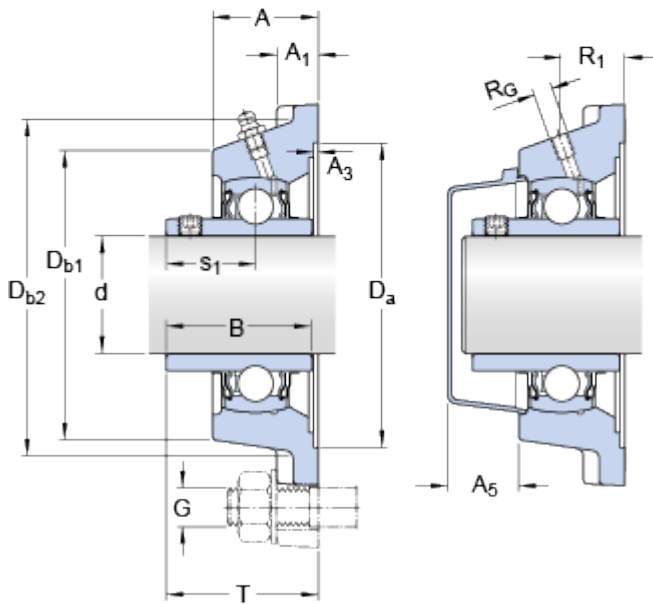
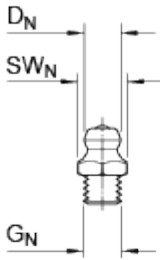


FY 40 TF

Housing material

Cast iron

Dimensions



| | | |
|-----------------|----------------|----|
| d | 40 | mm |
| A | 38.5 | mm |
| A ₁ | 14 | mm |
| A ₃ | H 3.2 | mm |
| | 14 | |
| A ₅ | 23.5 | mm |
| B | 49.2 | mm |
| D _a | H 115.9 | mm |
| | 11 | |
| D _{b1} | 98 | mm |
| D _{b2} | 106 | mm |
| J | 101.5 | mm |
| L | 130 | mm |
| N | 14 | mm |
| s ₁ | 30.2 | mm |
| T | 54.2 | mm |

Threaded hole

R_G **1 / 4 - 28 UNF**

25.5 mm

R **1**

Grease fitting

D_N **6.5** mm

SW_N **7** mm

G_N **1 / 4 - 28 SAE-LT**

Dowel pins

J₆ **118** mm

J₇ **34** mm

N₄ **4** mm

Calculation data

Basic dynamic load rating C **30.7** kN

Basic static load rating C₀ **19** kN

Fatigue load limit P_u **0.8** kN

Limiting speed **4800** r/min

(with shaft tolerance h 6)

Mass

Mass bearing unit **1.75** kg

Mounting information

Thread grub screw G₂ **M 8 x 1**

Hexagonal key size for grub screw N **4** mm

Recommended tightening torque for grub screw **6.5** N·m

Recommended diameter for attachment bolts, mm G **12** mm

Recommended diameter for attachment bolts, inch G **0.5** in

Appertaining products

Housing FY 508 M

Bearing YAR 208-2F

Appropriate products

End cover ECY 208

