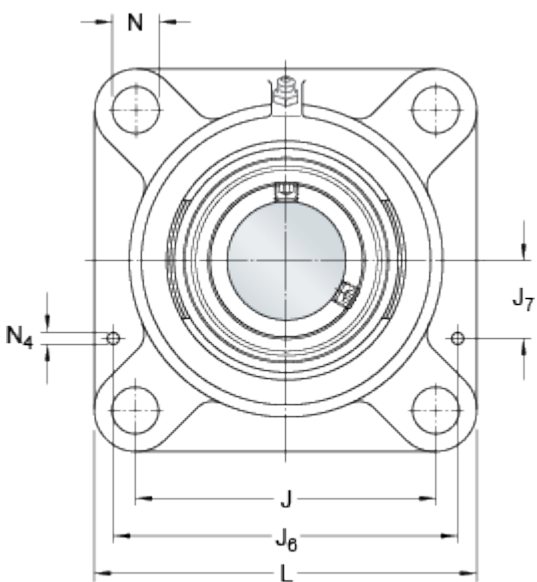
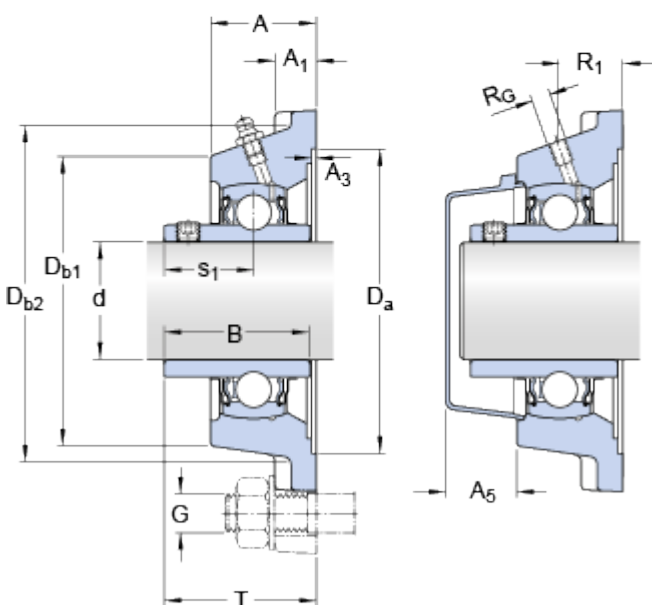
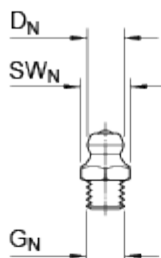


FY 30 TF

Housing material

Cast iron

Dimensions



d	30	mm
A	32.5	mm
A ₁	13	mm
A ₃	H 3.2	mm
	14	
A ₅	20	mm
B	38.1	mm
D _a	H 93.7	mm
	11	
D _{b1}	76	mm
D _{b2}	84	mm
J	82.5	mm
L	108	mm
N	11.5	mm
s ₁	22.2	mm
T	42.2	mm

Threaded hole

R_G **1 / 4 - 28 UNF**

21 mm

R **1**

Grease fitting

D_N **6.5** mm

SW_N **7** mm

G_N **1 / 4 - 28 SAE-LT**

Dowel pins

J₆ **96** mm

J₇ **24.5** mm

N₄ **4** mm

Calculation data

Basic dynamic load rating	C	19.5	kN
Basic static load rating	C ₀	11.2	kN
Fatigue load limit	P _u	0.475	kN
Limiting speed		6300	r/min

(with shaft tolerance h 6)

Mass

Mass bearing unit		1	kg
-------------------	--	----------	----

Mounting information

Thread grub screw	G ₂	M 6 x 0.75	
Hexagonal key size for grub screw	N	3	mm
Recommended tightening torque for grub screw		4	N·m
Recommended diameter for attachment bolts, mm	G	10	mm
Recommended diameter for attachment bolts, inch	G	0.375	in

Appertaining products

Housing		FY 506 M
Bearing		YAR 206-2F

Appropriate products

End cover		ECY 206
-----------	--	---------

