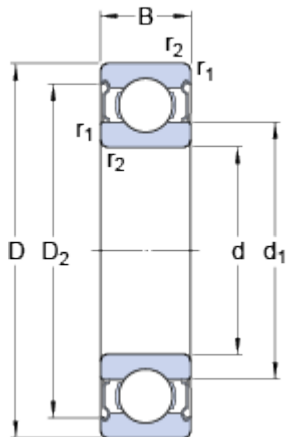


# 6309 - 2 Z

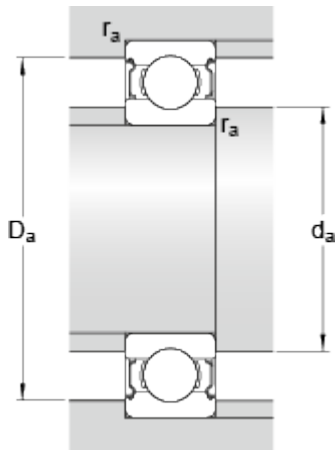
SKF Explorer

## Dimensions



d	<b>45</b>	mm
D	<b>100</b>	mm
B	<b>25</b>	mm
d <sub>1</sub>	≈ <b>62.18</b>	mm
D <sub>2</sub>	≈ <b>86.7</b>	mm
r <sub>1,2</sub>	min. <b>1.5</b>	mm

## Abutment dimensions



d <sub>a</sub>	min. <b>54</b>	mm
d <sub>a</sub>	max. <b>62.1</b>	mm
D <sub>a</sub>	max. <b>91</b>	mm
r <sub>a</sub>	max. <b>1.5</b>	mm

## Calculation data

Basic dynamic load rating	C	<b>55.3</b>	kN
Basic static load rating	C <sub>0</sub>	<b>31.5</b>	kN
Fatigue load limit	P <sub>u</sub>	<b>1.34</b>	kN
Reference speed		<b>15000</b>	r/min
Limiting speed		<b>7500</b>	r/min
Calculation factor	k <sub>r</sub>	<b>0.03</b>	
Calculation factor	f <sub>0</sub>	<b>13</b>	

## Mass

Mass bearing	<b>0.87</b>	kg
--------------	-------------	----

