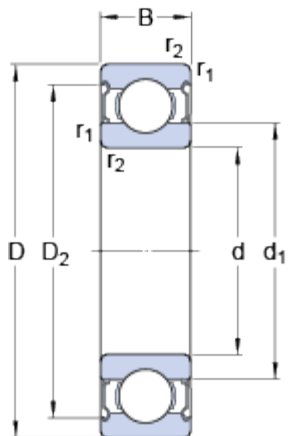


## 6307-2Z

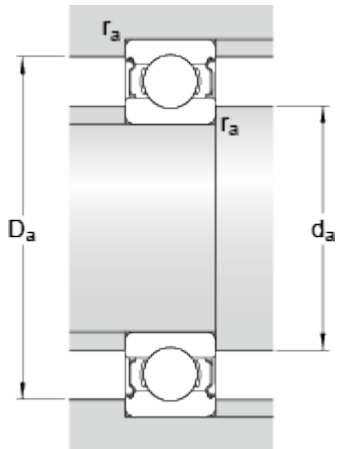
SKF Explorer

### Dimensions



d	35	mm
D	80	mm
B	21	mm
$d_1$	≈ 49.56	mm
$D_2$	≈ 69.2	mm
$r_{1,2}$	min. 1.5	mm

### Abutment dimensions



$d_a$	min. 44	mm
$d_a$	max. 49.5	mm
$D_a$	max. 71	mm
$r_a$	max. 1.5	mm

### Calculation data

Basic dynamic load rating	C	35.1	kN
Basic static load rating	$C_0$	19	kN
Fatigue load limit	$P_u$	0.815	kN
Reference speed		19000	r/min
Limiting speed		9500	r/min
Calculation factor	$k_r$	0.03	
Calculation factor	$f_0$	13.1	

### Mass

Mass bearing	0.47	kg
--------------	------	----