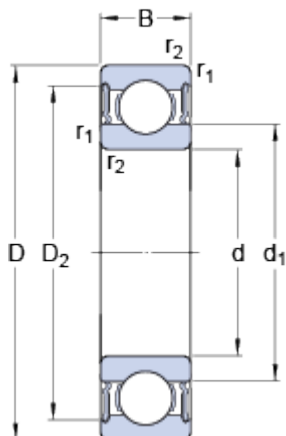


# 6306-2RS1

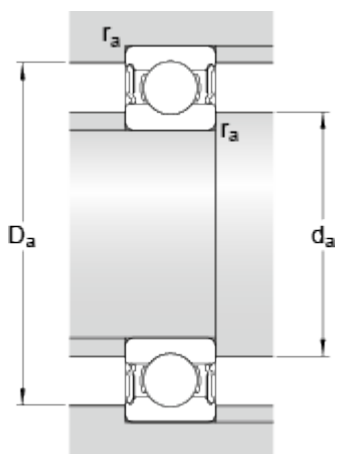
SKF Explorer

## Dimensions



$d$	30	mm
$D$	72	mm
$B$	19	mm
$d_1$	≈ 44.6	mm
$D_2$	≈ 61.88	mm
$r_{1,2}$	min. 1.1	mm

## Abutment dimensions



$d_a$	min. 37	mm
$d_a$	max. 44.5	mm
$D_a$	max. 65	mm
$r_a$	max. 1	mm

## Calculation data

Basic dynamic load rating	$C$	29.6	kN
Basic static load rating	$C_0$	16	kN
Fatigue load limit	$P_u$	0.67	kN
Limiting speed		6300	r/min
Calculation factor	$k_r$	0.03	
Calculation factor	$f_0$	13.1	

## Mass

Mass bearing		0.36	kg
--------------	--	------	----