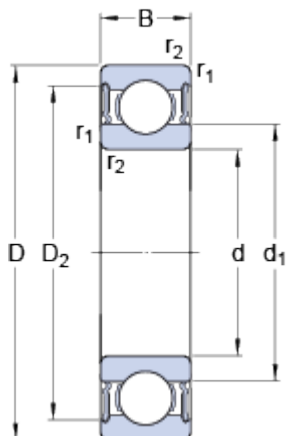


# 6305-2RS1

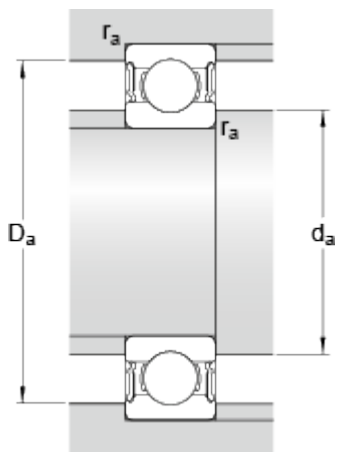
SKF Explorer

## Dimensions



$d$	25	mm
$D$	62	mm
$B$	17	mm
$d_1$	≈ 36.6	mm
$D_2$	≈ 52.7	mm

## Abutment dimensions



$d_a$	min.	32	mm
$d_a$	max.	36.5	mm
$D_a$	max.	55	mm
$r_a$	max.	1	mm

## Calculation data

Basic dynamic load rating	$C$	23.4	kN
Basic static load rating	$C_0$	11.6	kN
Fatigue load limit	$P_u$	0.49	kN
Limiting speed		7500	r/min
Calculation factor	$k_r$	0.03	
Calculation factor	$f_0$	12	

## Mass

Mass bearing		0.23	kg
--------------	--	------	----