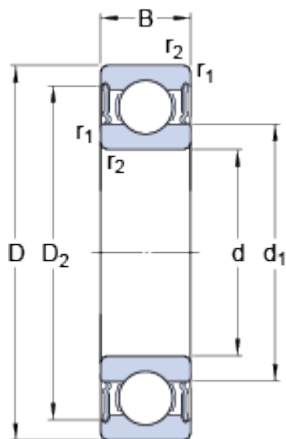


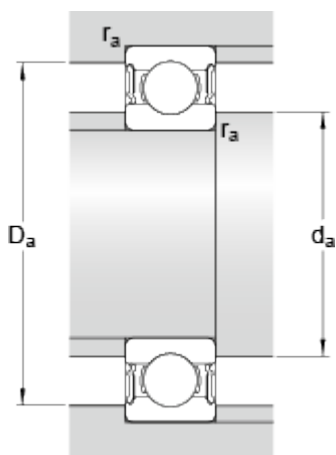
63005 - 2 RS 1

Dimensions



d	25	mm
D	47	mm
B	16	mm
d ₁	≈ 32	mm
D ₂	≈ 42.2	mm
r _{1,2}	min. 0.6	mm

Abutment dimensions



d _a	min. 29.2	mm
d _a	max. 31.9	mm
D _a	max. 43.8	mm
r _a	max. 0.6	mm

Calculation data

Basic dynamic load rating	C	11.2	kN
Basic static load rating	C ₀	6.55	kN
Fatigue load limit	P _u	0.275	kN
Limiting speed		9500	r/min
Calculation factor	k _r	0.025	
Calculation factor	f ₀	14	

Mass

Mass bearing		0.11	kg
--------------	--	-------------	----