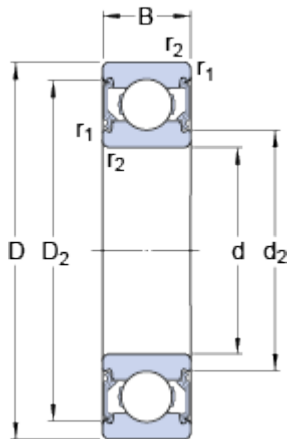


626 - 2 RSH

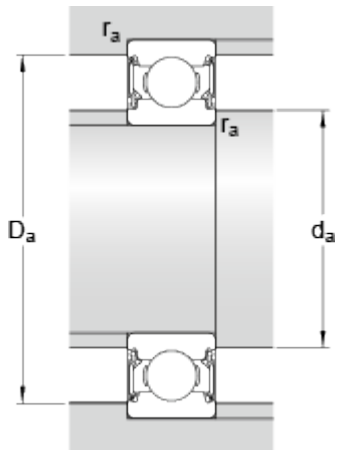
SKF Explorer

Dimensions



d	6	mm
D	19	mm
B	6	mm
d ₂	≈ 9.5	mm
D ₂	≈ 16.5	mm
r _{1,2}	min. 0.3	mm

Abutment dimensions



d _a	min. 8.4	mm
d _a	max. 9.4	mm
D _a	max. 16.6	mm
r _a	max. 0.3	mm

Calculation data

Basic dynamic load rating	C	2.34	kN
Basic static load rating	C ₀	0.95	kN
Fatigue load limit	P _u	0.04	kN
Limiting speed		24000	r/min
Calculation factor	k _r	0.025	
Calculation factor	f ₀	13	

Mass

Mass bearing		0.0083	kg
--------------	--	---------------	----

