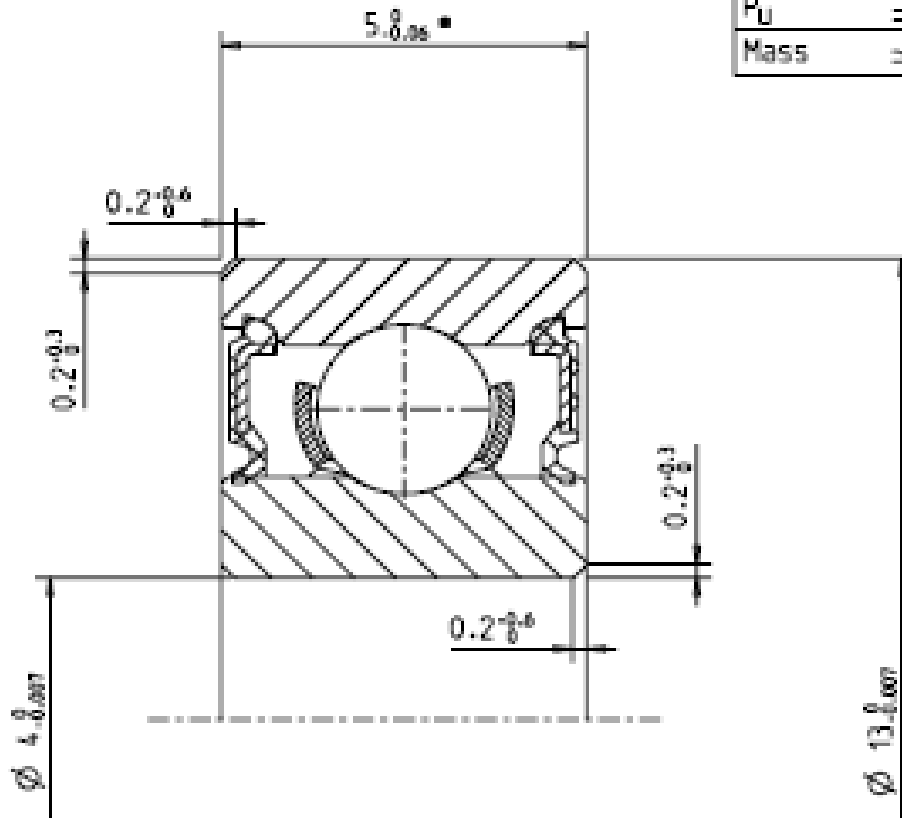


C	=	975 N
C <sub>0</sub>	=	305 N
P <sub>U</sub>	=	14 N
Mass	=	0.0031 Kg



1:1

Cage type

Pressed steel

Radial clearance

0.002 min.

(CN)

0.013 max.

(Without measuring load)

Grease type

MT47

Grease fill

Normal

Seal material

Steel sheet and NBR

Tolerances in accordance with ISO 492, tolerance class 6, except \*

Deep groove ball bearing  
SKF EXPLORER

Product Designation

624-2RS1