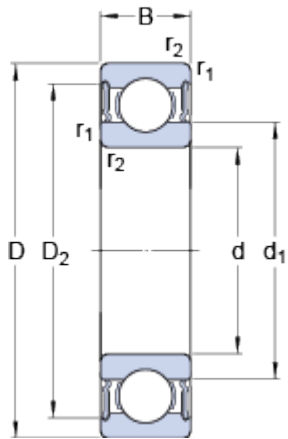


# 6213 - 2 RS 1

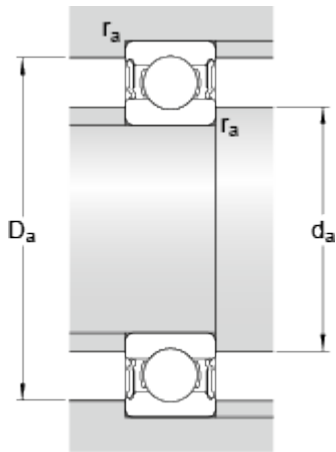
SKF Explorer

## Dimensions



d	<b>65</b>	mm
D	<b>120</b>	mm
B	<b>23</b>	mm
d <sub>1</sub>	≈ <b>83.3</b>	mm
D <sub>2</sub>	≈ <b>105.8</b>	mm
r <sub>1,2</sub>	min. <b>1.5</b>	mm

## Abutment dimensions



d <sub>a</sub>	min. <b>74</b>	mm
d <sub>a</sub>	max. <b>83.2</b>	mm
D <sub>a</sub>	max. <b>111</b>	mm
r <sub>a</sub>	max. <b>1.5</b>	mm

## Calculation data

Basic dynamic load rating	C	<b>58.5</b>	kN
Basic static load rating	C <sub>0</sub>	<b>40.5</b>	kN
Fatigue load limit	P <sub>u</sub>	<b>1.73</b>	kN
Limiting speed		<b>3600</b>	r/min
Calculation factor	k <sub>r</sub>	<b>0.025</b>	
Calculation factor	f <sub>0</sub>	<b>14.7</b>	

## Mass

Mass bearing		<b>1.05</b>	kg
--------------	--	-------------	----

