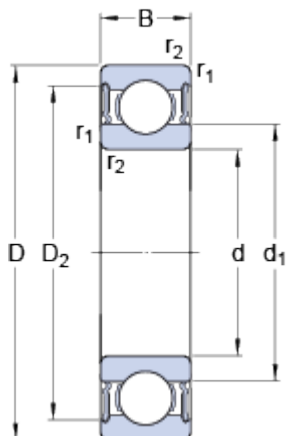


6210-2RS1

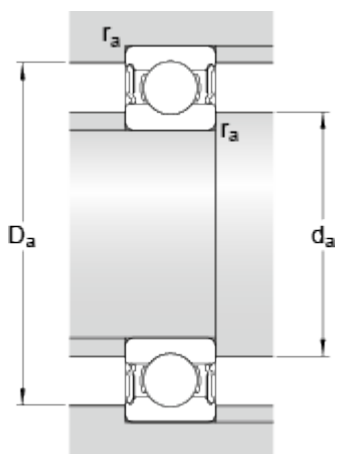
SKF Explorer

Dimensions



d	50	mm
D	90	mm
B	20	mm
d_1	≈ 62.51	mm
D_2	≈ 81.61	mm
$r_{1,2}$	min. 1.1	mm

Abutment dimensions



d_a	min. 57	mm
d_a	max. 62.4	mm
D_a	max. 83	mm
r_a	max. 1	mm

Calculation data

Basic dynamic load rating	C	37.1	kN
Basic static load rating	C_0	23.2	kN
Fatigue load limit	P_u	0.98	kN
Limiting speed		4800	r/min
Calculation factor	k_r	0.025	
Calculation factor	f_0	14.4	

Mass

Mass bearing	0.47	kg
--------------	------	----