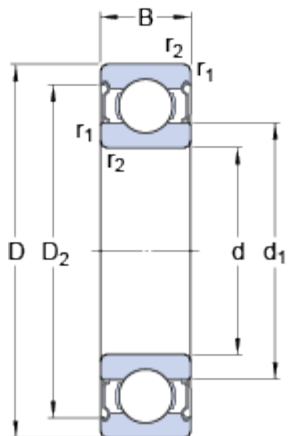




# 6208-2Z

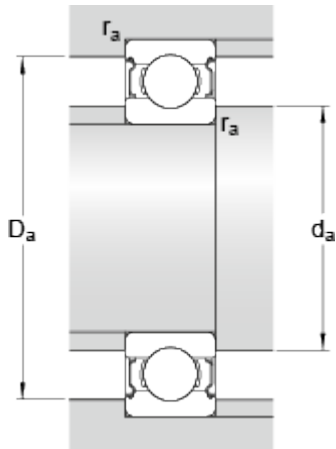
SKF Explorer

## Dimensions



|                  |          |    |
|------------------|----------|----|
| d                | 40       | mm |
| D                | 80       | mm |
| B                | 18       | mm |
| d <sub>1</sub>   | ≈ 52.6   | mm |
| D <sub>2</sub>   | ≈ 69.8   | mm |
| r <sub>1,2</sub> | min. 1.1 | mm |

## Abutment dimensions



|                |           |    |
|----------------|-----------|----|
| d <sub>a</sub> | min. 47   | mm |
| d <sub>a</sub> | max. 52.5 | mm |
| D <sub>a</sub> | max. 73   | mm |
| r <sub>a</sub> | max. 1    | mm |

## Calculation data

|                           |                |       |       |
|---------------------------|----------------|-------|-------|
| Basic dynamic load rating | C              | 32.5  | kN    |
| Basic static load rating  | C <sub>0</sub> | 19    | kN    |
| Fatigue load limit        | P <sub>u</sub> | 0.8   | kN    |
| Reference speed           |                | 18000 | r/min |
| Limiting speed            |                | 9000  | r/min |
| Calculation factor        | k <sub>r</sub> | 0.025 |       |
| Calculation factor        | f <sub>0</sub> | 13.8  |       |

## Mass

|              |      |    |
|--------------|------|----|
| Mass bearing | 0.38 | kg |
|--------------|------|----|