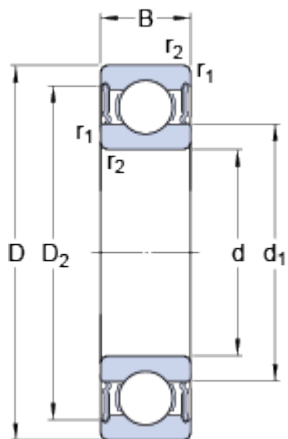


6208-2RS1

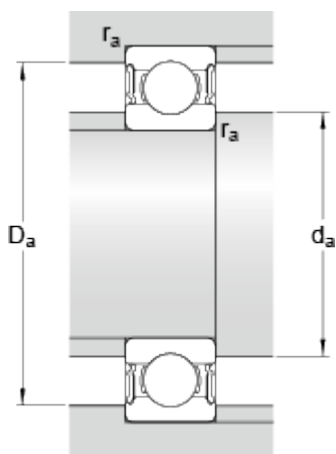
SKF Explorer

Dimensions



d	40	mm
D	80	mm
B	18	mm
d_1	≈ 52.6	mm
D_2	≈ 69.8	mm
$r_{1,2}$	min. 1.1	mm

Abutment dimensions



d_a	min. 47	mm
d_a	max. 52.5	mm
D_a	max. 73	mm
r_a	max. 1	mm

Calculation data

Basic dynamic load rating	C	32.5	kN
Basic static load rating	C_0	19	kN
Fatigue load limit	P_u	0.8	kN
Limiting speed		5600	r/min
Calculation factor	k_r	0.025	
Calculation factor	f_0	13.8	

Mass

Mass bearing		0.38	kg
--------------	--	------	----