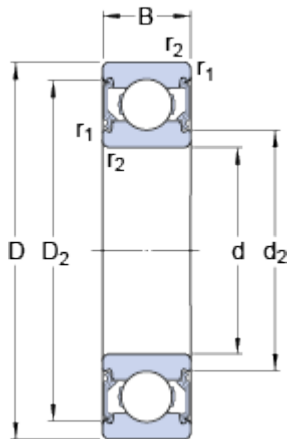


6207 - 2 RSH

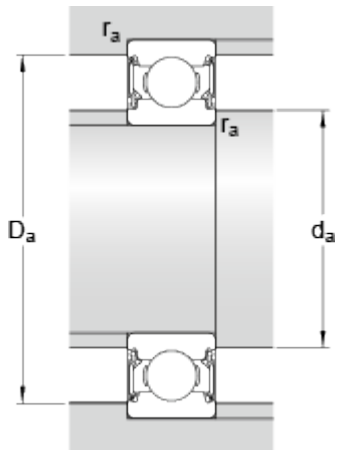
SKF Explorer

Dimensions



| | | |
|------------------|-----------------|----|
| d | 35 | mm |
| D | 72 | mm |
| B | 17 | mm |
| d ₂ | ≈ 43.574 | mm |
| D ₂ | ≈ 64.05 | mm |
| r _{1,2} | min. 1.1 | mm |

Abutment dimensions



| | | |
|----------------|------------------|----|
| d _a | min. 42 | mm |
| d _a | max. 43.2 | mm |
| D _a | max. 65 | mm |
| r _a | max. 1 | mm |

Calculation data

| | | | |
|---------------------------|----------------|--------------|-------|
| Basic dynamic load rating | C | 27 | kN |
| Basic static load rating | C ₀ | 15.3 | kN |
| Fatigue load limit | P _u | 0.655 | kN |
| Limiting speed | | 6300 | r/min |
| Calculation factor | k _r | 0.025 | |
| Calculation factor | f ₀ | 13.8 | |

Mass

| | | | |
|--------------|--|------------|----|
| Mass bearing | | 0.3 | kg |
|--------------|--|------------|----|

