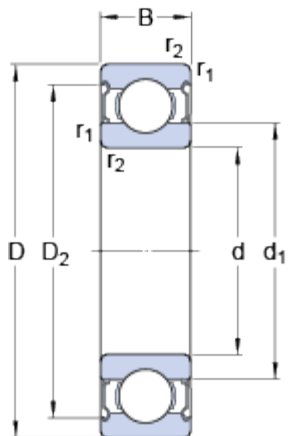


6206-2Z

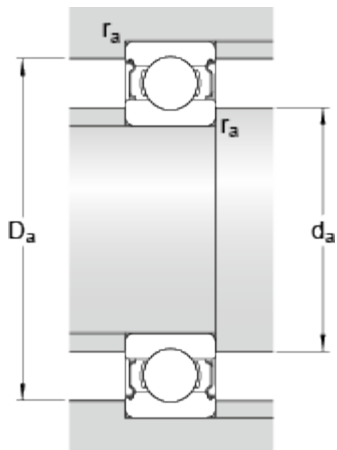
SKF Explorer

Dimensions



d	30	mm
D	62	mm
B	16	mm
d ₁	≈ 40.36	mm
D ₂	≈ 54.06	mm

Abutment dimensions



d _a	min.	35.6	mm
d _a	max.	40.3	mm
D _a	max.	56.4	mm
r _a	max.	1	mm

Calculation data

Basic dynamic load rating	C	20.3	kN
Basic static load rating	C ₀	11.2	kN
Fatigue load limit	P _u	0.475	kN
Reference speed		24000	r/min
Limiting speed		12000	r/min
Calculation factor	k _r	0.025	
Calculation factor	f ₀	13.8	

Mass

Mass bearing	0.21	kg
--------------	------	----