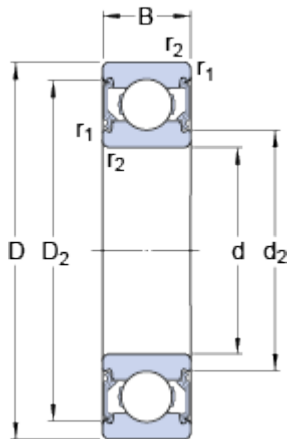


# 6205 - 2 RSH

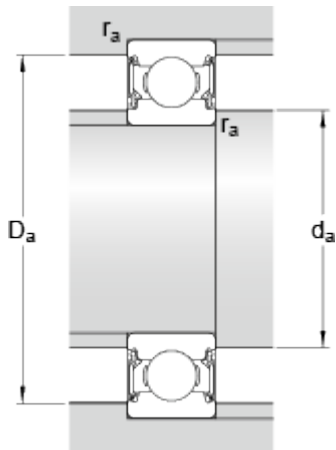
SKF Explorer

## Dimensions



d	<b>25</b>	mm
D	<b>52</b>	mm
B	<b>15</b>	mm
d <sub>2</sub>	≈ <b>31.3</b>	mm
D <sub>2</sub>	≈ <b>46.21</b>	mm
r <sub>1,2</sub>	min. <b>1</b>	mm

## Abutment dimensions



d <sub>a</sub>	min. <b>30.6</b>	mm
d <sub>a</sub>	max. <b>31.5</b>	mm
D <sub>a</sub>	max. <b>46.4</b>	mm
r <sub>a</sub>	max. <b>1</b>	mm

## Calculation data

Basic dynamic load rating	C	<b>14.8</b>	kN
Basic static load rating	C <sub>0</sub>	<b>7.8</b>	kN
Fatigue load limit	P <sub>u</sub>	<b>0.335</b>	kN
Limiting speed		<b>8500</b>	r/min
Calculation factor	k <sub>r</sub>	<b>0.025</b>	
Calculation factor	f <sub>0</sub>	<b>14</b>	

## Mass

Mass bearing		<b>0.13</b>	kg
--------------	--	-------------	----

