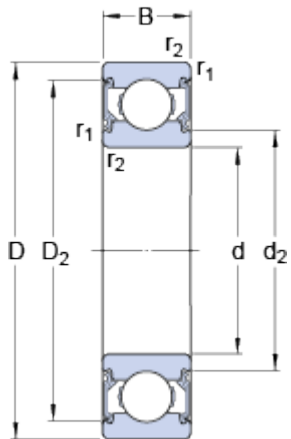


6202 - 2 RSH

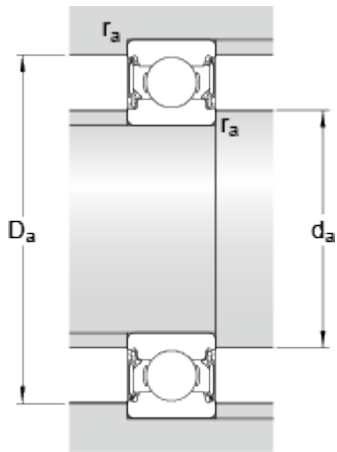
SKF Explorer

Dimensions



d	15	mm
D	35	mm
B	11	mm
d ₂	≈ 18.6	mm
D ₂	≈ 30.5	mm
r _{1,2}	min. 0.6	mm

Abutment dimensions



d _a	min. 19.2	mm
d _a	max. 19.4	mm
D _a	max. 31.3	mm
r _a	max. 0.6	mm

Calculation data

Basic dynamic load rating	C	8.06	kN
Basic static load rating	C ₀	3.75	kN
Fatigue load limit	P _u	0.16	kN
Limiting speed		13000	r/min
Calculation factor	k _r	0.025	
Calculation factor	f ₀	13	

Mass

Mass bearing		0.046	kg
--------------	--	--------------	----

