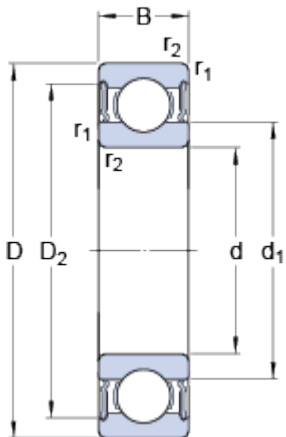


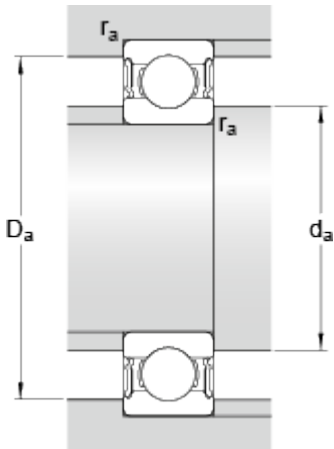
61902 - 2 RS 1

Dimensions



d	15	mm
D	28	mm
B	7	mm
d ₁	≈ 18.8	mm
D ₂	≈ 25.3	mm
r _{1,2}	min. 0.3	mm

Abutment dimensions



d _a	min. 17	mm
d _a	max. 18.3	mm
D _a	max. 26	mm
r _a	max. 0.3	mm

Calculation data

Basic dynamic load rating	C	4.36	kN
Basic static load rating	C ₀	2.24	kN
Fatigue load limit	P _u	0.095	kN
Limiting speed		16000	r/min
Calculation factor	k _r	0.02	
Calculation factor	f ₀	14.3	

Mass

Mass bearing		0.016	kg
--------------	--	--------------	----