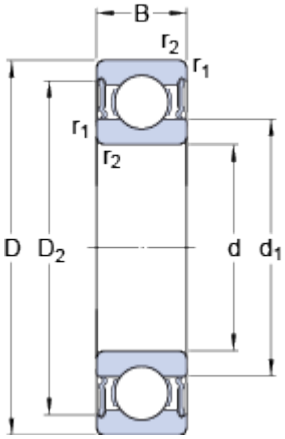


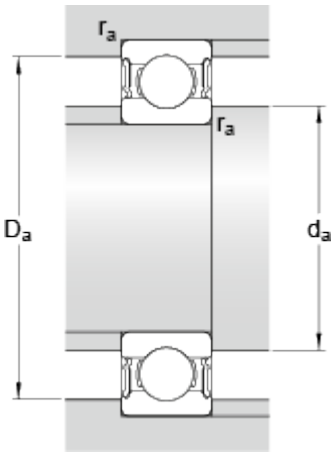
61818 - 2 RS 1

Dimensions



d	90	mm
D	115	mm
B	13	mm
d ₁	≈ 98.3	mm
D ₂	≈ 109.5	mm
r _{1,2}	min. 1	mm

Abutment dimensions



d _a	min. 94.6	mm
d _a	max. 98.1	mm
D _a	max. 110	mm
r _a	max. 1	mm

Calculation data

Basic dynamic load rating	C	19.5	kN
Basic static load rating	C ₀	17	kN
Fatigue load limit	P _u	0.915	kN
Limiting speed		3200	r/min
Calculation factor	k _r	0.015	
Calculation factor	f ₀	13.4	

Mass

Mass bearing		0.29	kg
--------------	--	-------------	----