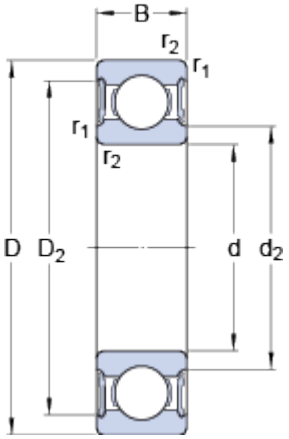


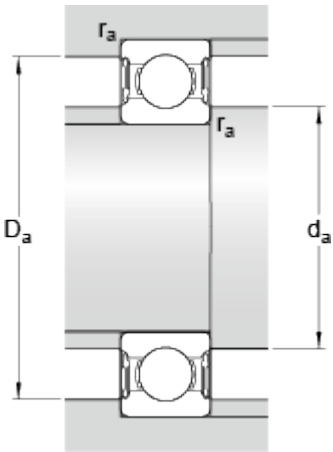
61800 - 2 RS 1

Dimensions



d	10	mm
D	19	mm
B	5	mm
d ₂	≈ 11.8	mm
D ₂	≈ 17.15	mm
r _{1,2}	min. 0.3	mm

Abutment dimensions



d _a	min. 11.8	mm
d _a	max. 11.8	mm
D _a	max. 17	mm
r _a	max. 0.3	mm

Calculation data

Basic dynamic load rating	C	1.72	kN
Basic static load rating	C ₀	0.83	kN
Fatigue load limit	P _u	0.036	kN
Limiting speed		22000	r/min
Calculation factor	k _r	0.015	
Calculation factor	f ₀	14.8	

Mass

Mass bearing		0.0055	kg
--------------	--	---------------	----