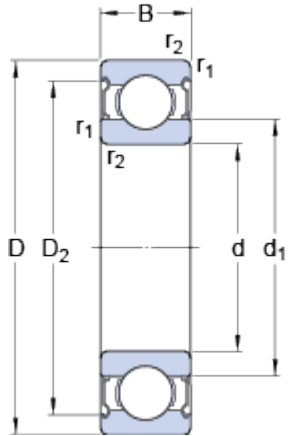


6022 - 2 Z

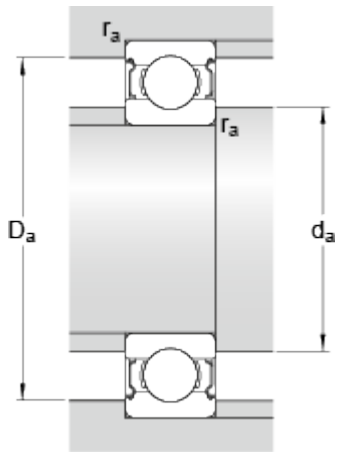
SKF Explorer

Dimensions



d	110	mm
D	170	mm
B	28	mm
d ₁	≈ 129.05	mm
D ₂	≈ 155.3	mm
r _{1,2}	min. 2	mm

Abutment dimensions



d _a	min. 119	mm
d _a	max. 128.9	mm
D _a	max. 161	mm
r _a	max. 2	mm

Calculation data

Basic dynamic load rating	C	85.2	kN
Basic static load rating	C ₀	73.5	kN
Fatigue load limit	P _u	2.6	kN
Reference speed		8000	r/min
Limiting speed		4000	r/min
Calculation factor	k _r	0.025	
Calculation factor	f ₀	15.6	

Mass

Mass bearing	2.06	kg
--------------	-------------	----

