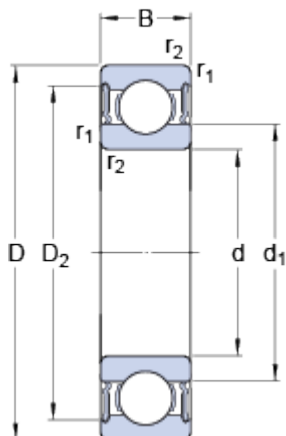


6014 - 2 RS 1

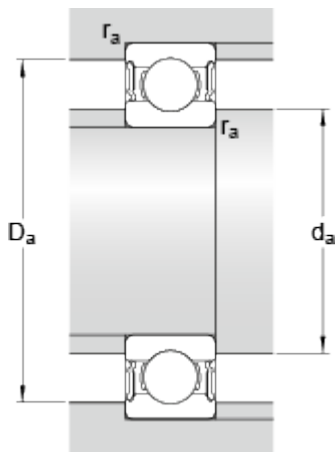
SKF Explorer

Dimensions



d	70	mm
D	110	mm
B	20	mm
d ₁	≈ 82.85	mm
D ₂	≈ 99.9	mm
r _{1,2}	min. 1.1	mm

Abutment dimensions



d _a	min. 76	mm
d _a	max. 82.8	mm
D _a	max. 104	mm
r _a	max. 1	mm

Calculation data

Basic dynamic load rating	C	39.7	kN
Basic static load rating	C ₀	31	kN
Fatigue load limit	P _u	1.32	kN
Limiting speed		3600	r/min
Calculation factor	k _r	0.025	
Calculation factor	f ₀	15.6	

Mass

Mass bearing		0.63	kg
--------------	--	-------------	----

