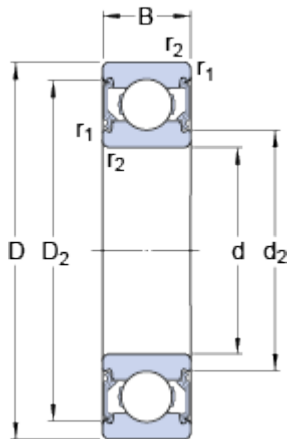


# 6004 - 2 RSH

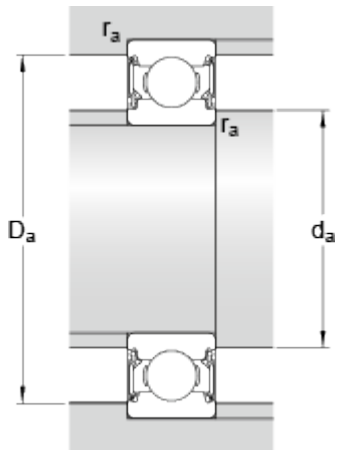
SKF Explorer

## Dimensions



d	<b>20</b>	mm
D	<b>42</b>	mm
B	<b>12</b>	mm
d <sub>2</sub>	≈ <b>24.65</b>	mm
D <sub>2</sub>	≈ <b>37.19</b>	mm
r <sub>1,2</sub>	min. <b>0.6</b>	mm

## Abutment dimensions



d <sub>a</sub>	min. <b>23.2</b>	mm
d <sub>a</sub>	max. <b>24.5</b>	mm
D <sub>a</sub>	max. <b>38.8</b>	mm
r <sub>a</sub>	max. <b>0.6</b>	mm

## Calculation data

Basic dynamic load rating	C	<b>9.95</b>	kN
Basic static load rating	C <sub>0</sub>	<b>5</b>	kN
Fatigue load limit	P <sub>u</sub>	<b>0.212</b>	kN
Limiting speed		<b>11000</b>	r/min
Calculation factor	k <sub>r</sub>	<b>0.025</b>	
Calculation factor	f <sub>0</sub>	<b>14</b>	

## Mass

Mass bearing		<b>0.067</b>	kg
--------------	--	--------------	----

