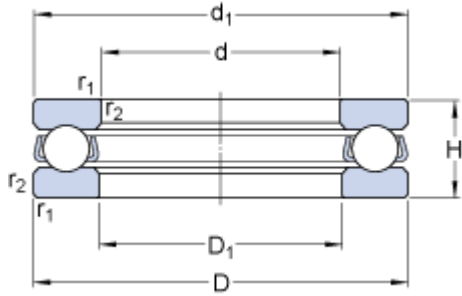


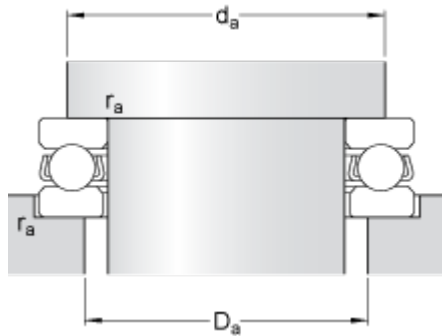
51217

Dimensions



d	85	mm
D	125	mm
H	31	mm
d ₁	≈ 125	mm
D ₁	≈ 88	mm
r _{1,2}	min. 1	mm

Abutment dimensions



d _a	min. 109	mm
D _a	max. 101	mm
r _a	max. 1	mm

Calculation data

Basic dynamic load rating	C	97.5	kN
Basic static load rating	C ₀	275	kN
Fatigue load limit	P _u	9.8	kN
Reference speed		2200	r/min
Limiting speed		3000	r/min
Minimum load factor	A	0.39	

Mass

Mass bearing (including seat washer where applicable)	1.2	kg
---	------------	----