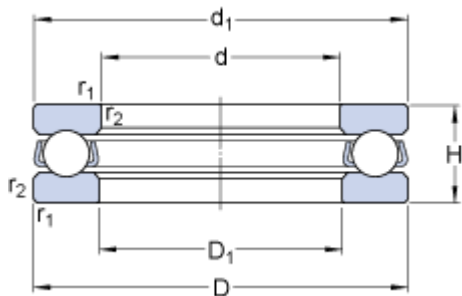


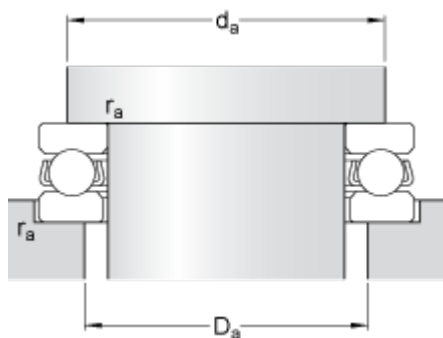
51201

Dimensions



d	12	mm
D	28	mm
H	11	mm
d ₁	≈ 28	mm
D ₁	≈ 14	mm
r _{1,2}	min. 0.6	mm

Abutment dimensions



d _a	min. 22	mm
D _a	max. 18	mm
r _a	max. 0.6	mm

Calculation data

Basic dynamic load rating	C	13.3	kN
Basic static load rating	C ₀	20.8	kN
Fatigue load limit	P _u	0.765	kN
Reference speed		8000	r/min
Limiting speed		11000	r/min
Minimum load factor	A	0.0022	

Mass

Mass bearing (including seat washer where applicable)	0.034	kg
---	--------------	----