

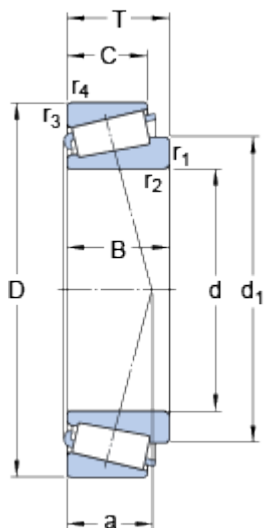
33210

SKF Explorer

Dimension series

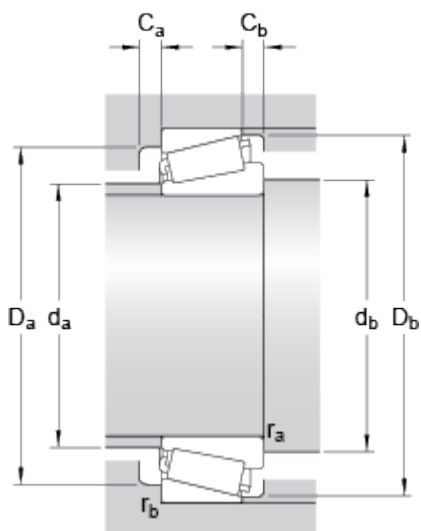
3 DE

Dimensions



d	50	mm
D	90	mm
T	32	mm
d ₁	≈ 70.8	mm
B	32	mm
C	24.5	mm
r _{1,2}	min. 1.5	mm
r _{3,4}	min. 1.5	mm
a	22.975	mm

Abutment dimensions



d _a	max. 57	mm
d _b	min. 59	mm
D _a	min. 77	mm
D _a	max. 82	mm
D _b	min. 87	mm
C _a	min. 5	mm
C _b	min. 7.5	mm
r _a	max. 1.5	mm

r_b

max.

mm

1.5**Calculation data**

Basic dynamic load rating	C	142	kN
Basic static load rating	C₀	160	kN
Fatigue load limit	P _u	18.3	kN
Reference speed		5300	r/min
Limiting speed		7000	r/min
Calculation factor	e	0.4	
Calculation factor	Y	1.5	
Calculation factor	Y₀	0.8	

Mass

Mass bearing		0.86	kg
--------------	--	-------------	----
