

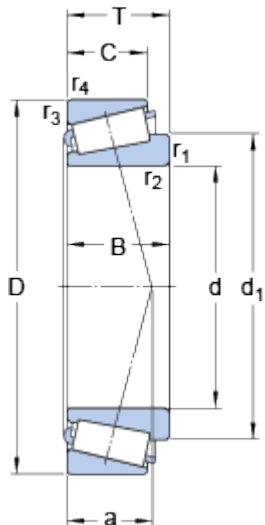
# 33209

SKF Explorer

Dimension series

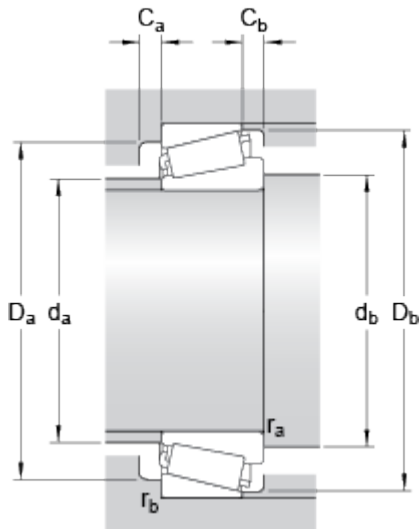
**3 DE**

## Dimensions



d	<b>45</b>	mm
D	<b>85</b>	mm
T	<b>32</b>	mm
d <sub>1</sub>	≈ <b>65.35</b>	mm
B	<b>32</b>	mm
C	<b>25</b>	mm
r <sub>1,2</sub>	min. <b>1.5</b>	mm
r <sub>3,4</sub>	min. <b>1.5</b>	mm
a	<b>21.715</b>	mm

## Abutment dimensions



d <sub>a</sub>	max. <b>52</b>	mm
d <sub>b</sub>	min. <b>53.5</b>	mm
D <sub>a</sub>	min. <b>72</b>	mm
D <sub>a</sub>	max. <b>77.5</b>	mm
D <sub>b</sub>	min. <b>81</b>	mm
C <sub>a</sub>	min. <b>5</b>	mm
C <sub>b</sub>	min. <b>7</b>	mm
r <sub>a</sub>	max. <b>1.5</b>	mm

$r_b$ 

max.

mm

**1.5****Calculation data**

---

Basic dynamic load rating	C	<b>132</b>	kN
Basic static load rating	$C_0$	<b>143</b>	kN
Fatigue load limit	$P_u$	<b>16.3</b>	kN
Reference speed		<b>6000</b>	r/min
Limiting speed		<b>7500</b>	r/min
Calculation factor	e	<b>0.4</b>	
Calculation factor	Y	<b>1.5</b>	
Calculation factor	$Y_0$	<b>0.8</b>	

**Mass**

---

Mass bearing		<b>0.79</b>	kg
--------------	--	-------------	----

---