

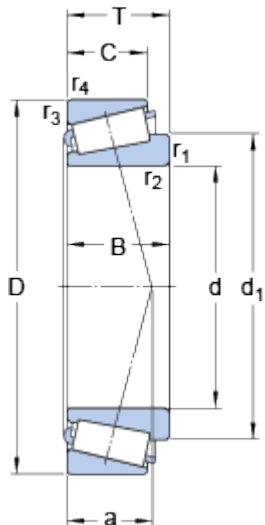
32306

SKF Explorer

Dimension series

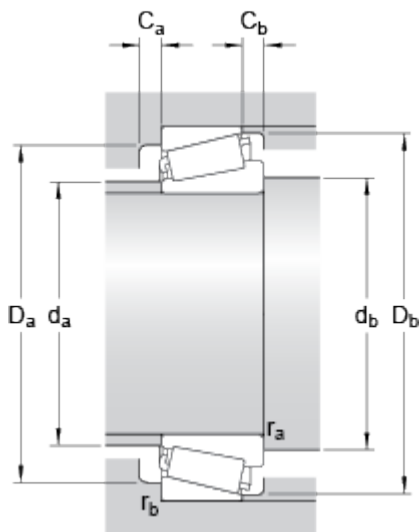
2 FD

Dimensions



d	30	mm
D	72	mm
T	28.75	mm
d ₁	≈ 48.7	mm
B	27	mm
C	23	mm
r _{1,2}	min. 1.5	mm
r _{3,4}	min. 1.5	mm
a	17.569	mm

Abutment dimensions



d _a	max. 39	mm
d _b	min. 38	mm
D _a	min. 59	mm
D _a	max. 65	mm
D _b	min. 66	mm
C _a	min. 4	mm
C _b	min. 5.5	mm
r _a	max. 1.5	mm

r_b

max.

mm

1.5**Calculation data**

Basic dynamic load rating	C	95	kN
Basic static load rating	C_0	85	kN
Fatigue load limit	P_u	9.65	kN
Reference speed		7500	r/min
Limiting speed		10000	r/min
Calculation factor	e	0.31	
Calculation factor	Y	1.9	
Calculation factor	Y_0	1.1	

Mass

Mass bearing		0.55	kg
--------------	--	-------------	----
