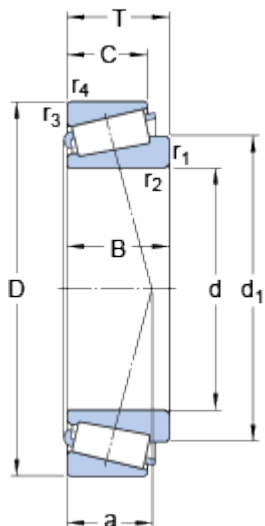


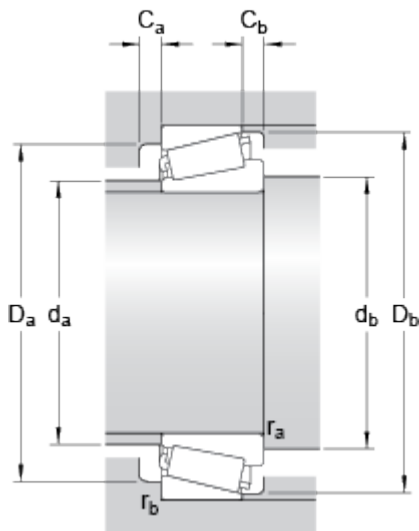
# 32208 J 2 /Q

## Dimensions



d	<b>40</b>	mm
D	<b>80</b>	mm
T	<b>24.75</b>	mm
d <sub>1</sub>	≈ <b>58.45</b>	mm
B	<b>23</b>	mm
C	<b>19</b>	mm
r <sub>1,2</sub>	min. <b>1.5</b>	mm
r <sub>3,4</sub>	min. <b>1.5</b>	mm
a	<b>19</b>	mm

## Abutment dimensions



d <sub>a</sub>	max. <b>48</b>	mm
d <sub>b</sub>	min. <b>47</b>	mm
D <sub>a</sub>	min. <b>68</b>	mm
D <sub>a</sub>	max. <b>73</b>	mm
D <sub>b</sub>	min. <b>75</b>	mm
C <sub>a</sub>	min. <b>3</b>	mm
C <sub>b</sub>	min. <b>55</b>	mm
r <sub>a</sub>	max. <b>1.5</b>	mm
r <sub>b</sub>	max. <b>1.5</b>	mm

**Calculation data**

---

Basic dynamic load rating	C	<b>74.8</b>	kN
Basic static load rating	C <sub>0</sub>	<b>86.5</b>	kN
Fatigue load limit	P <sub>u</sub>	<b>9.8</b>	kN
Reference speed		<b>6300</b>	r/min
Limiting speed		<b>8500</b>	r/min
Calculation factor	e	<b>0.37</b>	
Calculation factor	Y	<b>1.6</b>	
Calculation factor	Y <sub>0</sub>	<b>0.9</b>	

**Mass**

---

Mass bearing		<b>0.53</b>	kg
--------------	--	-------------	----

---