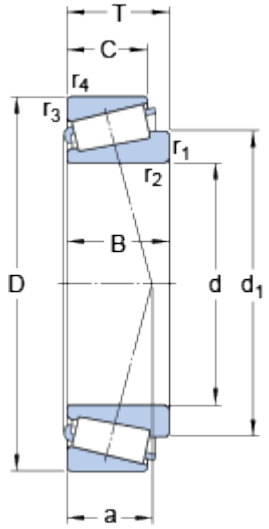


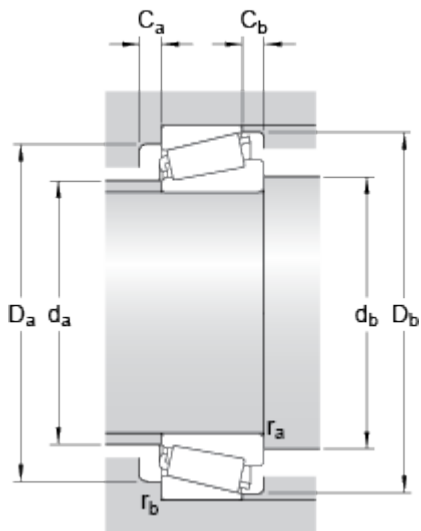
32206 J 2 /Q

Dimensions



d	30	mm
D	62	mm
T	21.25	mm
d ₁	≈ 45.2	mm
B	20	mm
C	17	mm
r _{1,2}	min. 1	mm
r _{3,4}	min. 1	mm
a	15	mm

Abutment dimensions



d _a	max. 37	mm
d _b	min. 37	mm
D _a	min. 52	mm
D _a	max. 56	mm
D _b	min. 58	mm
C _a	min. 3	mm
C _b	min. 4	mm
r _a	max. 1	mm
r _b	max. 1	mm

Calculation data

Basic dynamic load rating	C	50.1	kN
Basic static load rating	C ₀	57	kN
Fatigue load limit	P _u	6.3	kN
Reference speed		8500	r/min
Limiting speed		11000	r/min
Calculation factor	e	0.37	
Calculation factor	Y	1.6	
Calculation factor	Y ₀	0.9	

Mass

Mass bearing		0.29	kg
--------------	--	-------------	----
