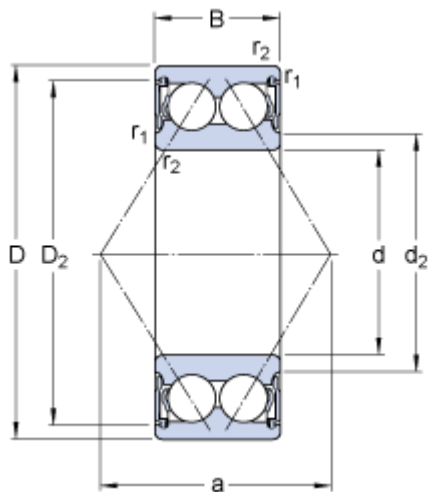


3210 A- 2 RS 1 TN 9 /MT 33

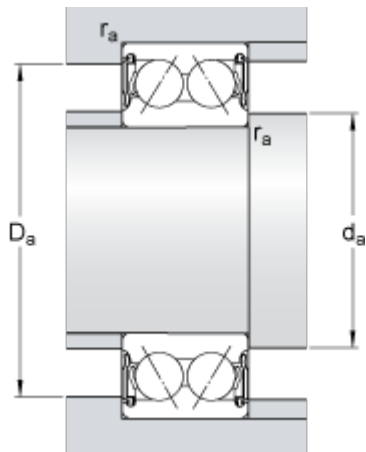
SKF Explorer

Dimensions



| | | |
|------------------|-----------------|----|
| d | 50 | mm |
| D | 90 | mm |
| B | 30.2 | mm |
| d ₂ | ≈ 57.8 | mm |
| D ₂ | ≈ 82.1 | mm |
| r _{1,2} | min. 1.1 | mm |
| a | 52 | mm |

Abutment dimensions



| | | |
|----------------|------------------|----|
| d _a | min. 57 | mm |
| d _a | max. 57.5 | mm |
| D _a | max. 83 | mm |
| r _a | max. 1 | mm |

Calculation data

| | | | |
|---------------------------|----------------|-------------|-------|
| Basic dynamic load rating | C | 51 | kN |
| Basic static load rating | C ₀ | 42.5 | kN |
| Fatigue load limit | P _u | 1.8 | kN |
| Limiting speed | | 4800 | r/min |
| Calculation factor | k _r | 0.06 | |
| Calculation factor | e | 0.8 | |
| Calculation factor | X | 0.63 | |
| Calculation factor | Y ₀ | 0.66 | |

Calculation factor

Y ₁

0.78

Calculation factor

Y ₂

1.24

Mass

Mass bearing

0.65

kg
