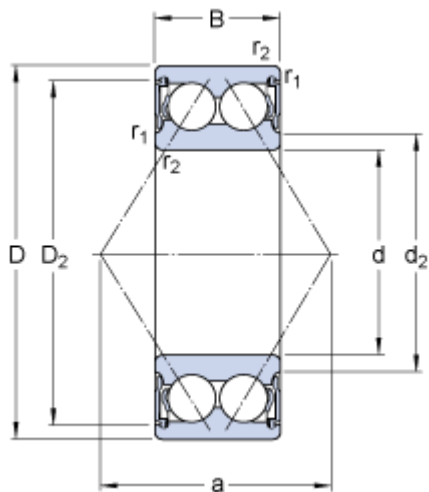


3208 A- 2 RS 1 TN 9 /MT 33

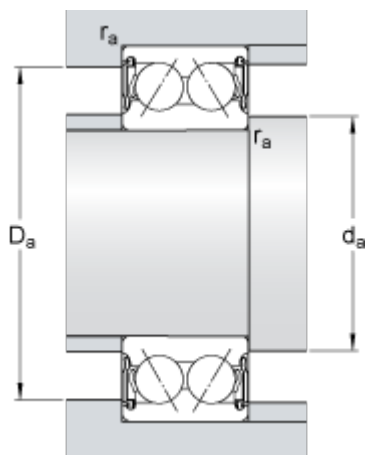
SKF Explorer

Dimensions



d	40	mm
D	80	mm
B	30.2	mm
d ₂	≈ 47.8	mm
D ₂	≈ 72.1	mm
r _{1,2}	min. 1.1	mm
a	46	mm

Abutment dimensions



d _a	min. 47	mm
d _a	max. 47	mm
D _a	max. 73	mm
r _a	max. 1	mm

Calculation data

Basic dynamic load rating	C	48	kN
Basic static load rating	C ₀	36.5	kN
Fatigue load limit	P _u	1.56	kN
Limiting speed		5600	r/min
Calculation factor	k _r	0.06	
Calculation factor	e	0.8	
Calculation factor	X	0.63	
Calculation factor	Y ₀	0.66	

Calculation factor

Y_1

0.78

Calculation factor

Y_2

1.24

Mass

Mass bearing

0.57

kg
