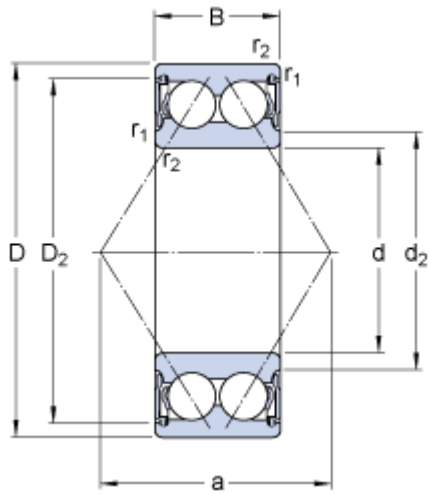


# 3205 A- 2 RS 1 TN 9 /MT 33

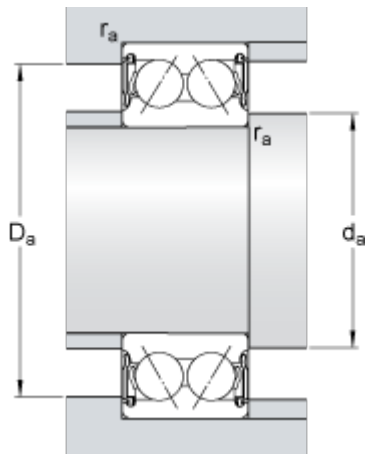
SKF Explorer

## Dimensions



d	<b>25</b>	mm
D	<b>52</b>	mm
B	<b>20.6</b>	mm
d <sub>2</sub>	≈ <b>32.7</b>	mm
D <sub>2</sub>	≈ <b>45.9</b>	mm
r <sub>1,2</sub>	min. <b>1</b>	mm
a	<b>30</b>	mm

## Abutment dimensions



d <sub>a</sub>	min. <b>30.6</b>	mm
d <sub>a</sub>	max. <b>32.5</b>	mm
D <sub>a</sub>	max. <b>46.4</b>	mm
r <sub>a</sub>	max. <b>1</b>	mm

## Calculation data

Basic dynamic load rating	C	<b>21.6</b>	kN
Basic static load rating	C <sub>0</sub>	<b>14.3</b>	kN
Fatigue load limit	P <sub>u</sub>	<b>0.6</b>	kN
Limiting speed		<b>8500</b>	r/min
Calculation factor	k <sub>r</sub>	<b>0.06</b>	
Calculation factor	e	<b>0.8</b>	
Calculation factor	X	<b>0.63</b>	
Calculation factor	Y <sub>0</sub>	<b>0.66</b>	

Calculation factor

Y <sub>1</sub>

0.78

Calculation factor

Y <sub>2</sub>

1.24

## Mass

---

Mass bearing

0.18

kg

---