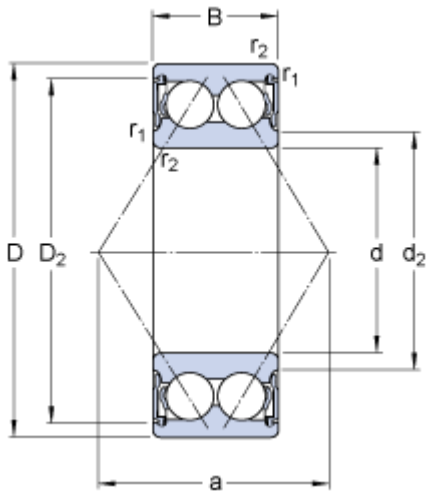


3204 A- 2 RS 1 TN 9 /MT 33

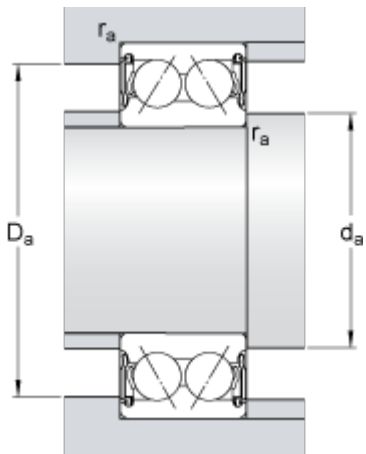
SKF Explorer

Dimensions



d	20	mm
D	47	mm
B	20.6	mm
d ₂	≈ 27.7	mm
D ₂	≈ 40.9	mm
r _{1,2}	min. 1	mm
a	28	mm

Abutment dimensions



d _a	min. 25.6	mm
d _a	max. 27.5	mm
D _a	max. 41.4	mm
r _a	max. 1	mm

Calculation data

Basic dynamic load rating	C	20.4	kN
Basic static load rating	C ₀	12.9	kN
Fatigue load limit	P _u	0.55	kN
Limiting speed		10000	r/min
Calculation factor	k _r	0.06	
Calculation factor	e	0.8	
Calculation factor	X	0.63	
Calculation factor	Y ₀	0.66	

Calculation factor

Y ₁

0.78

Calculation factor

Y ₂

1.24

Mass

Mass bearing

0.16

kg
